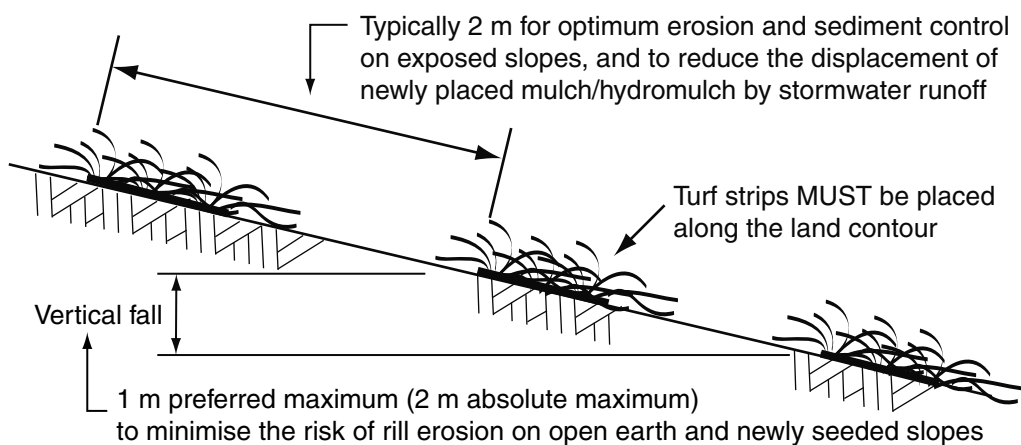
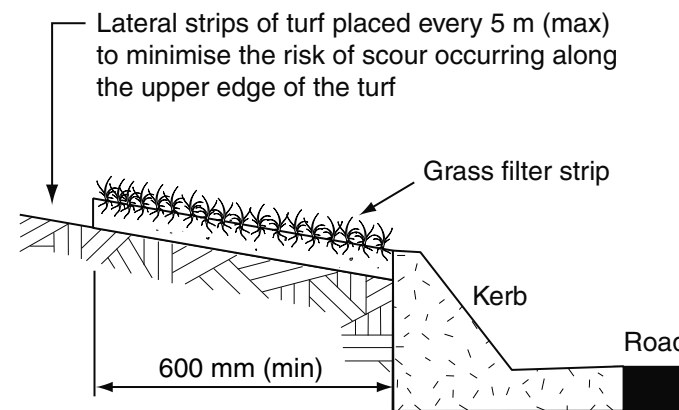


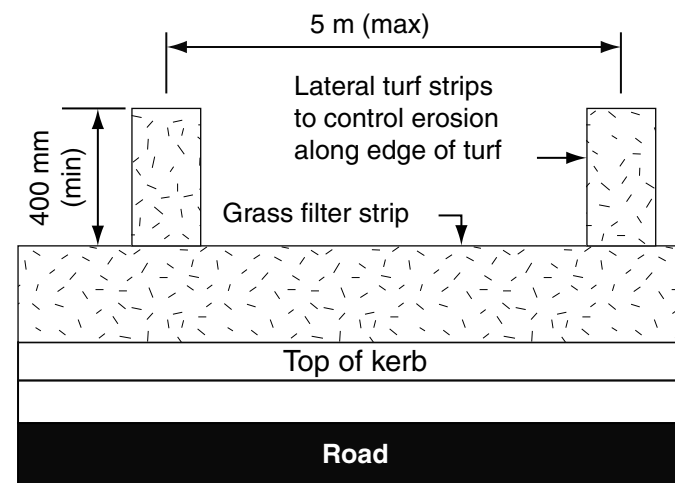
(a) Placement of grass filter strips along road kerb



(c) Placement of grass filter strips along the contour of a slope



(b) Placement of grass filter strips along edge of impervious surface



(d) Placement of grass filter strips along edge of impervious surface

Drawn:	Date:		
GMW	Dec-09	Grass Filter Strips	GFS-01