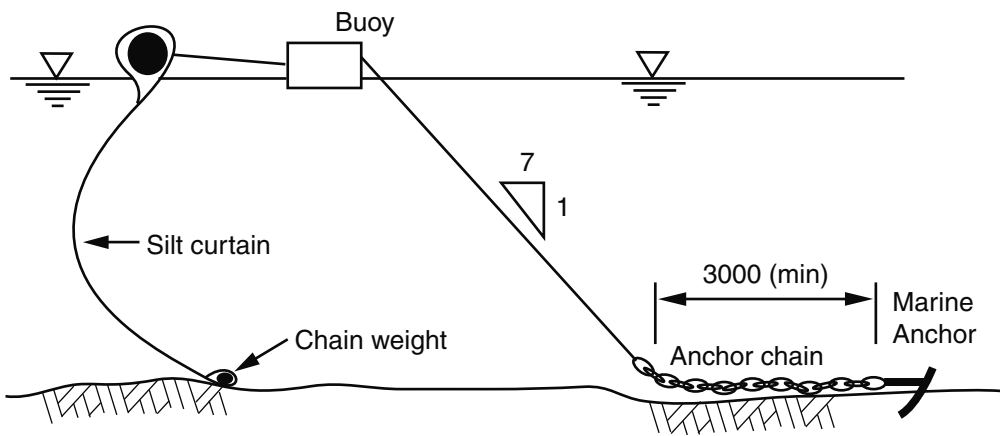
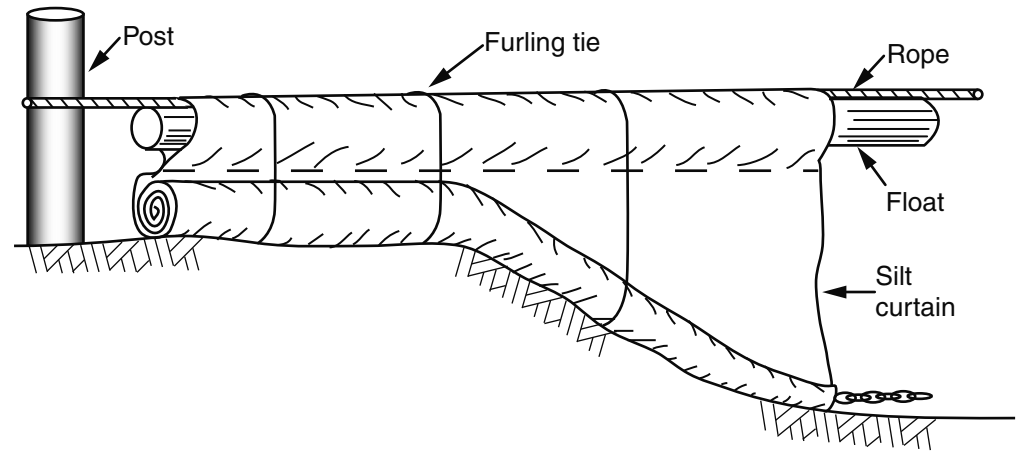


**(a) Components of a floating silt curtain**

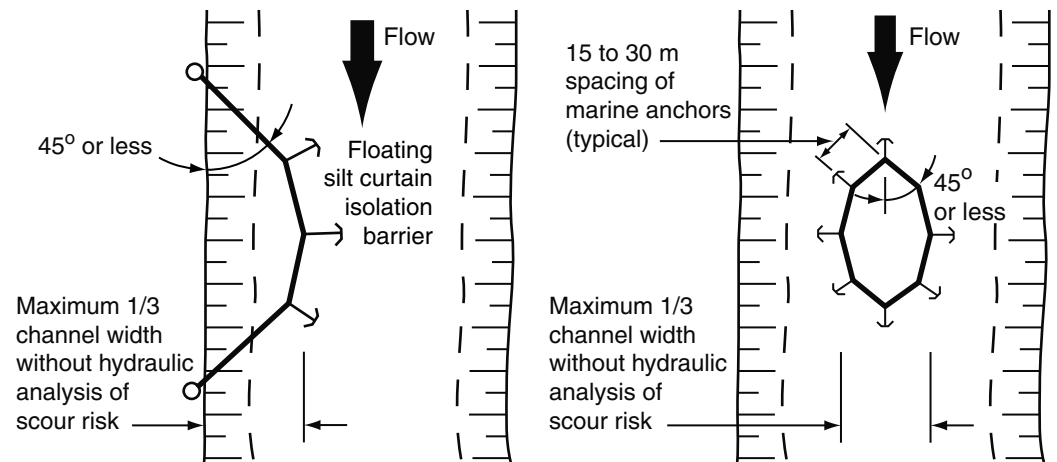


**(c) Typical marine anchorage system**

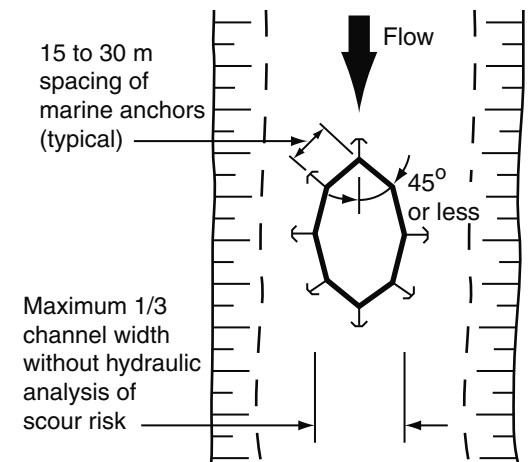
After Trow Consulting Engineers Ltd (1997)



**(b) Typical land anchorage system**



**(d) Typical installation of floating silt curtain**



**(e) Typical installation of floating silt curtain**

Drawn:	Date:		
GMW	Feb-10	Floating Silt Curtain	FSC-01