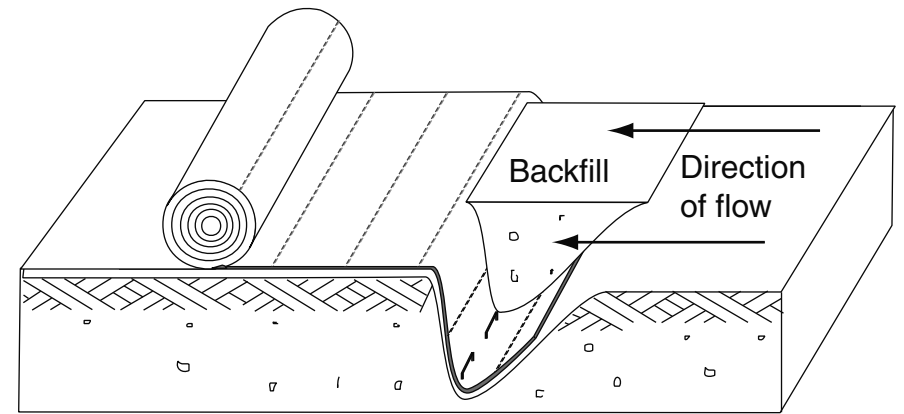
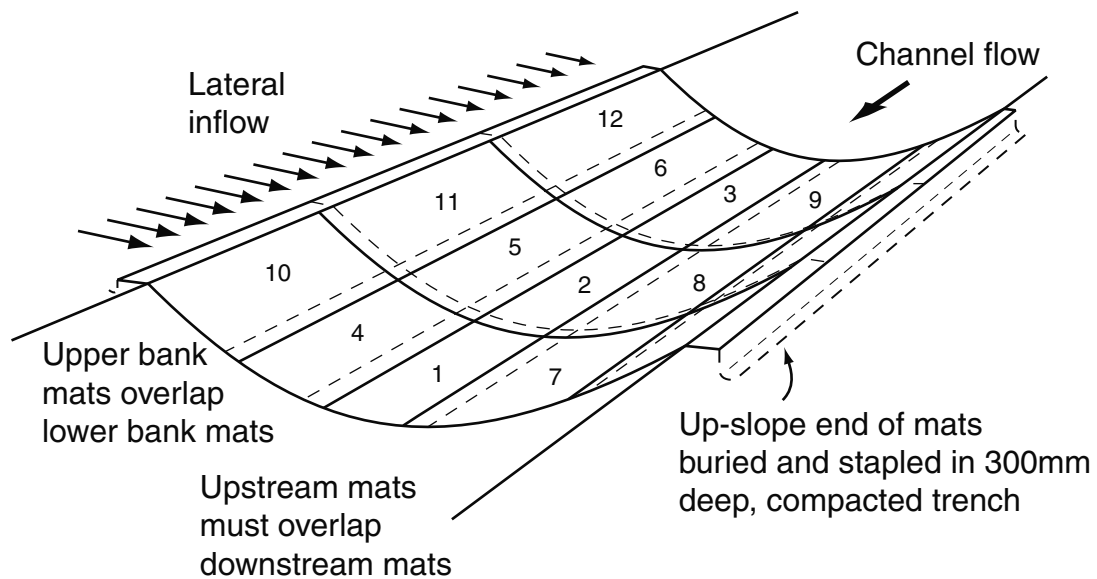


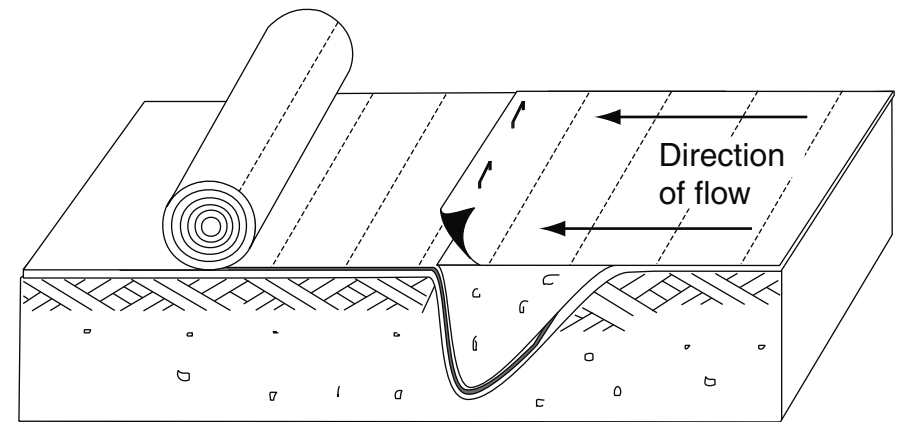
(a) Typical placement of turf reinforcement mat



(b) Step 1: Anchoring of downstream mat



(c) Typical order of mat placement



(d) Step 2: Placement of upstream mat

Drawn:	Date:		
GMW	Dec-09	Turf Reinforcement Mats	TRM-01